

Technical data sheet

Product features



Lava stone grill gas

Model	SAP Code	00019425
--------------	-----------------	----------



- Worktop material: AISI 304
- Grid size [mm x mm]: 520 x 380
- Container for liquid fat: Yes
- Removable rim: Yes
- Removable grid: Yes
- Ignition: Piezo

SAP Code	00019425	Net Weight [kg]	34.00
Net Width [mm]	400	Power gas [kW]	7.500
Net Depth [mm]	730	Type of gas	Natural gas, propane butane
Net Height [mm]	300	Grid size [mm x mm]	520 x 380

Technical data sheet

Technical drawing

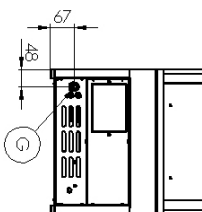
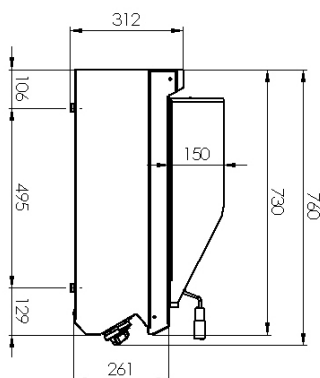
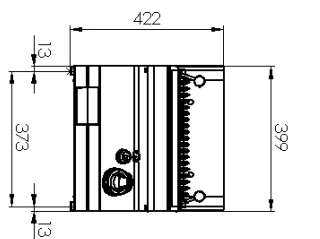


Lava stone grill gas

Model

SAP Code

00019425



Technical data sheet

Technical parameters



Lava stone grill gas

Model

SAP Code

00019425

1. SAP Code:

00019425

2. Net Width [mm]:

400

3. Net Depth [mm]:

730

4. Net Height [mm]:

300

5. Net Weight [kg]:

34.00

6. Gross Width [mm]:

460

7. Gross depth [mm]:

820

8. Gross Height [mm]:

535

9. Gross Weight [kg]:

42.00

10. Device type:

Gas unit

11. Construction type of device:

Table top

12. Power gas [kW]:

7.500

13. Ignition:

Piezo

14. Type of gas:

Natural gas, propane butane

15. Exterior color of the device:

Stainless steel

16. Material:

AISI 304

17. Worktop material:

AISI 304

18. Worktop Thickness [mm]:

1.50

19. Grid material:

Stainless steel

20. Service accessibility:

Trough the frontal panel

21. Safety thermocouple:

Yes

22. Container for liquid fat:

Yes

23. Removable device container:

No

24. Removable rim:

Yes

25. Removable grid:

Yes

26. Grid size [mm x mm]:

520 x 380

27. Removable burner:

Yes

28. Connection to a ball valve:

1/2